

# PT51



## 15" PCAP Touchscreen

- / Support Intel Celeron J6412 Processor.
- / 15" PCAP Touchscreen.
- / IP54 Water and Dust Resistant Front Panel.
- / VESA Mount Compliant.
- / 3 Track MSR, Customer display and 2nd display monitor Available.



- 15" True-Flat PCAP Touch
- Front IP54
- 3-Track MSR



- Adjustable Customer Display
- Wide Range of Tilt Angle (0~90°)
- Advanced Cable Management



- 2nd Display



- Aluminum Die-casting stand with plastic cover

- VESA Mount

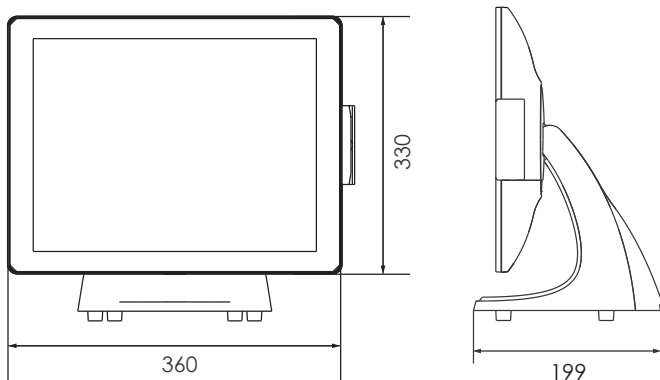
- Space for Power Adapter built-in

**Poindus**  
COMPAL GROUP

# Specifications

		PT51
<b>System</b>	Motherboard	<b>PE24</b>
	Processor	Intel® Celeron® Processor J6412
	Graphic	CPU Intergrated
	System Memory	1 x SO-DIMM DDR4 slot, 8GB RAM as standard. Max. memory support up to 16GB
	Storage Device	1 x 128 GB SSD (M.2)
<b>LCD Touch Panel</b>	LCD Size	15" TFT LCD
	Brightness	300 nits
	Resolution	1024 x 768
	Touch Screen	True-Flat PCAP Multi-touch
<b>External I/O Ports</b>	USB	3 x USB 2.0, 3 x USB 3.1
	COM Port	3x COM (COM1/2: RJ48 support DC+0/5/12v by BIOS setting, default setting is 0v. COM3: DB-9)
	LAN	1 x Gigabit Ethernet by RJ-45
	Cash Drawer	1 x RJ-11 (Support DC +12V or +24V (default)) port supports 2 cash drawers
	VGA	1 x DB-15 VGA port Power enable by BIOS setting (default disable)
	DC Jack	1 x miniDIN 4P (DC+19V only)
	Type-C	1 x Type C (PD + DP)
	Power Button	1
<b>Audio</b>	Internal Speaker	2 x 2w (Option)
<b>Indicator</b>	LED Indicator	1 for Power LED
<b>Power</b>	Power Adapter	DC+19V, 65watt adaptor
	MSR	3-Track MSR, USB Type
	iButton	USB Type
	Customer Display	LCM display 2 x 20 characters, USB Type
	2nd Display	15.1" / 300 nits / 1024 x 768, VGA Type 11.6" / 250 nits / 1366 x 768, VGA Type
	RFID	USB Type
	Fingerprint	USB Type
<b>Mounting (Option)</b>		VESA Mount 75 x 75 / 100 x 100
<b>Certificate</b>	EMC & Safety	CE, FCC, LVD, RoHS
	Operating Temperature	0°C ~ 35°C (32°F ~ 95°F)
<b>Environment</b>	Storage Temperature	-20°C ~ 60°C (-4°F ~ 140°F)
	Humidity	20% ~ 80% RH non-condensing
<b>Dimensions (WxDxH)</b>		360 x 199 x 330 mm
<b>Weight</b>		5.35 kgs
<b>OS Supported</b>		Windows10 (64bit) / Windows 11 (64bit) / Linux

## Dimensions



## Panel IO (PE24)

