

ONIX 200



www.rmsspos.co.uk

4:3
SCREEN


CAPACITIVE
MULTI-TOUCH


INTEL


MICROSOFT


FANLESS


SSD


VESA

CONFIGURATIONS



ONIX200

ONIX 200

Cooling	FANLESS
Screen	15" TFT LCD
Touch Panel	Multi-Touch (PCAP)
Brightness	300 nits
Resolution	1024 x 768
Internal Speaker	2 x 2W

MODEL

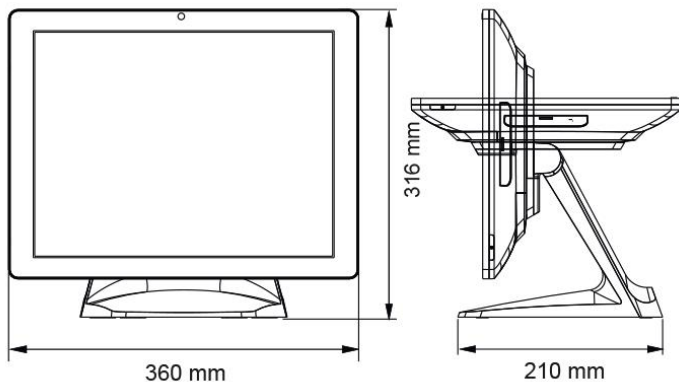
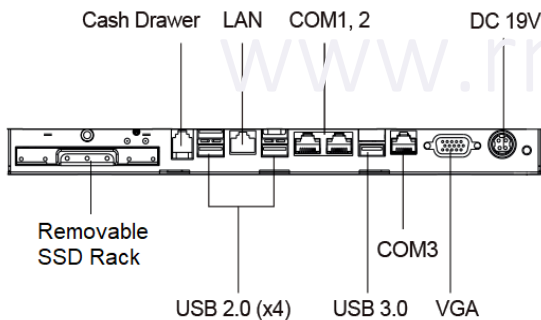
Processor	Intel Bay Trail Quad Core J1900
System Memory	1 x DDR3L 4GB SO-DIMM up to 8GB Max
Storage Device	SSD
Expansion	1 x Mini Slot-E Slot
Graphic Engine	Intel HD Graphic
Power Supply	65W/19V

INPUT/OUTPUT

USB 2.0	4
USB 3.0	1
Serial Port RS232	3 x COM (default 0V; COM1, COM2 0V/5V, COM3 0V/12V)
LAN	RJ45
Cash-drawer	1 x RJ11 (12/24V)
VGA	1x DB15

Operating Systems

Win 10 IOT ENTRY (32 bit/64 bit), POSReady 7, Win 7 Pro, Windows 8.1 Linux, Kernel 3.8 or above



VARIOUS

On/Off Button	Right Side
Dimensions L x W x H	360 x 210 x 316mm
Weight	5.4kg
Colour	Black
IP Rating	IP 54 Front Side
Setup	Horizontal from 0° to 90°
Certifications	FCC/CE Class A, LVD, CE Mark
Operating temp.	0°C ~ 35°C
Storage temp.	-10°C ~ 50°C
Humidity	20% ~ 85% without condensation
VESA	100 x 100

PACKAGING

Unit	1
Dimensions W x L x H	400 x 500 x 340mm
Weight	8.3kg

OPTIONS

- Integrated Customer Display
- 2nd Display 10"
- 3-Track MSR (USB)
- iButton (USB)
- Fingerprint Reader (USB)
- WLAN + BT : 802.11a/b/g/n/ac WLAN card + BT 4.0



Specifications are subject to change without notice. © OXHOO 2020